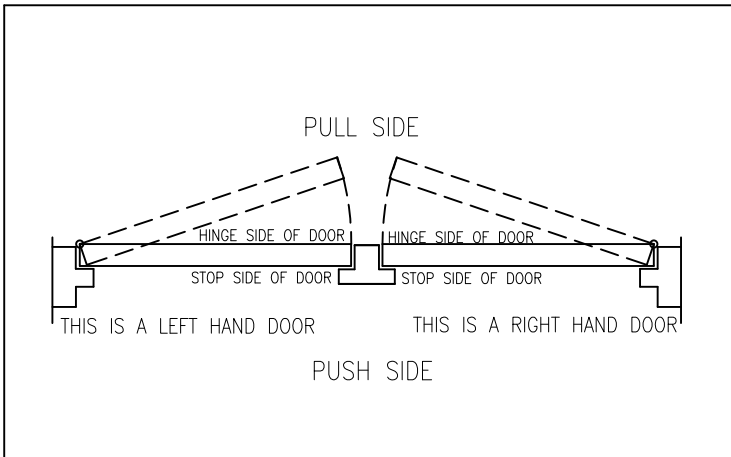


INSTALLATION INSTRUCTIONS

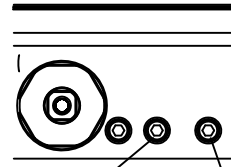
■ CHART TO DETERMINE HAND OF DOOR



■ FINAL ADJUSTMENT AND REGULATING PROCEDURES

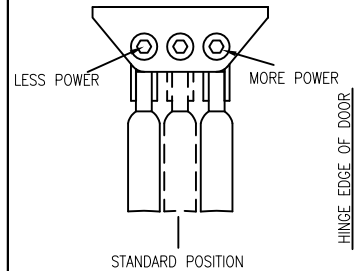
REGULATING DOOR SPEED AND LATCHING SPEED

TURN SPEED REGULATING VALVE COUNTER-CLOCKWISE TO SLOW DOWN -OR- COUNTER-CLOCKWISE TO SPEED UP DOOR MOVEMENT



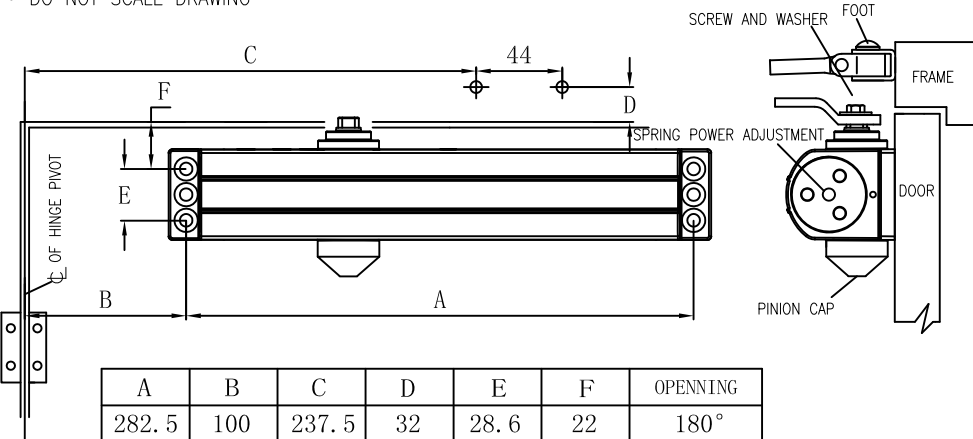
ADJUSTING FOOT FOR CLOSING POWER

TURN OVER FOOT ILLUSTRATED BELOW



■ STANDARD INSTALLATION : PULL SIDE MOUNT

- RIGHT HAND DOOR ILLUSTRATED SAME DIMENSIONS APPLY TO
- DO NOT SCALE DRAWING

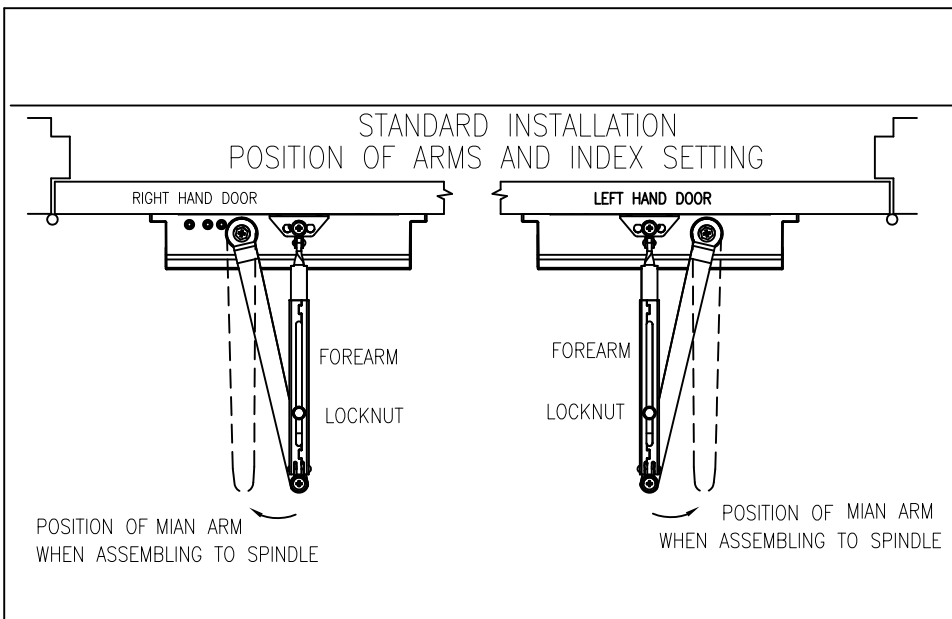


A	B	C	D	E	F	OPENING
282.5	100	237.5	32	28.6	22	180°
282.5	180	317.5	32	28.6	22	120°

INSTALLATION INSTRUCTIONS

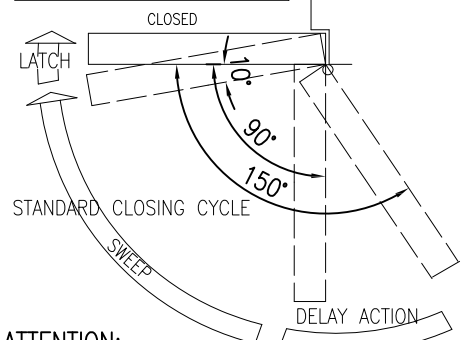
1. SELECT DEGREE OF DOOR. USE DIMENSIONS SHOWN IN CHART AND ILLUSTRATION ABOVE TO MARK LOCATION OF ATTACHING SCREWS ON DOOR AND FRAME PREPARE HOLES
2. ASSEMBLE MAIN ARM TO CLOSER.
3. ATTACH CLOSER TO DOOR WITH SPEED REGULATING VALVES TOWARD HINGE.
4. ATTACH THE FOOT OF THE FOREARM TO FRAME.
5. ADJUST LENGTH OF FOREARM TO POSITION FOREARM AT RIGHT ANGLE TO FRAME WHEN CONNECTED TO MAIN ARM AT ELBOW USE WASHER AND SCREW PROVIDED TO SECURE PIVOT CONNECTION. TIGHTEN LOCKNUT ON FOREARM.
6. SNAP PINION CAP OVER SPINDLE AT BOTTOM OF CLOSER
7. ADJUST DOOR CLOSER

①



CLOSING SPEED CONTROL

CAUTION
DO NOT BACK VALVES OUT OF CLOSER OR A LEAK WILL RESULT



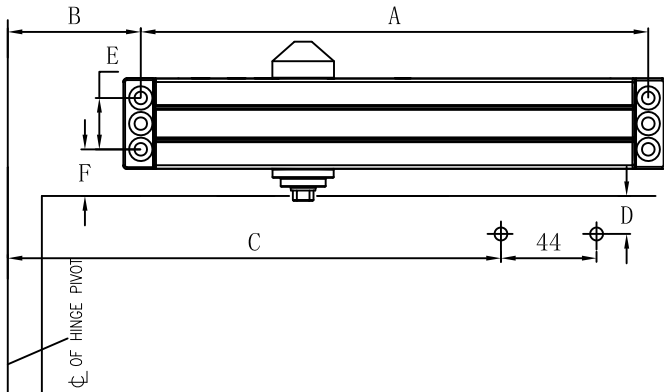
ATTENTION:

ADJUST CLOSING SPEED TIME TO BETWEEN 4 TO 6 SECOND FROM 90°. USE OF THE DOOR BY HANDICAPPED, ELDERLY OR SMALL CHILDREN MAY REQUIRE LONGER CLOSING TIME.

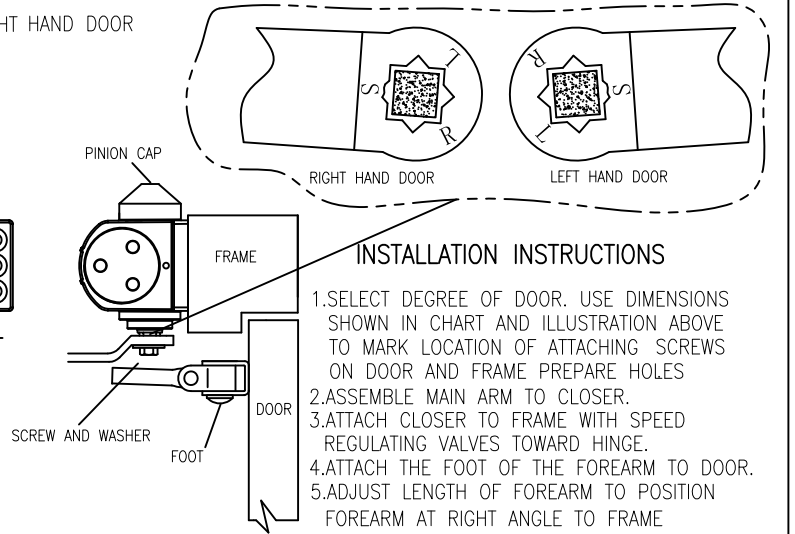
INSTALLATION INSTRUCTIONS

TOP JAMB INSTALLATION: PUSH SIDE MOUNT

- LEFT HAND DOOR ILLUSTRATED SAME DIMENSIONS APPLY TO RIGHT HAND DOOR
- DO NOT SCALE DRAWING MEASURED FROM HINGE ϕ



A	B	C	D	E	F	OPENNING
282.5	100	237.5	32	28.6	22	180°
282.5	180	317.5	32	28.6	22	120°



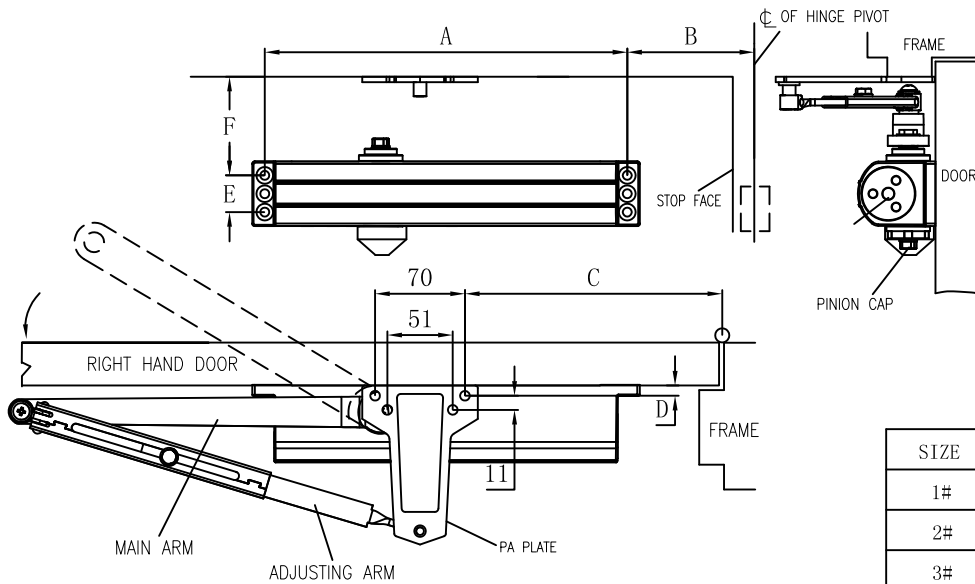
INSTALLATION INSTRUCTIONS

1. SELECT DEGREE OF DOOR. USE DIMENSIONS SHOWN IN CHART AND ILLUSTRATION ABOVE TO MARK LOCATION OF ATTACHING SCREWS ON DOOR AND FRAME PREPARE HOLES
2. ASSEMBLE MAIN ARM TO CLOSER.
3. ATTACH CLOSER TO FRAME WITH SPEED REGULATING VALVES TOWARD HINGE.
4. ATTACH THE FOOT OF THE FOREARM TO DOOR.
5. ADJUST LENGTH OF FOREARM TO POSITION FOREARM AT RIGHT ANGLE TO FRAME WHEN CONNECTED TO MAIN ARM AT ELBOW USE WASHER AND SCREW PROVIDED TO SECURE PIVOT CONNECTION. TIGHTEN LOCKNUT ON FOREARM.
6. SNAP PINION CAP OVER SPINDLE AT BOTTOM OF CLOSER
7. ADJUST DOOR CLOSER

2

PALALLEL ARM INSTALLATION : PUSH SIDE MOUNT

- RIGHT HAND DOOR ILLUSTRATED SAME DIMENSIONS APPLY TO LEFT HAND DOOR
- DO NOT SCALE DRAWING



A	B	C	D	E	F	OPENNING
282.5	66	150	8	28.6	76.5	180°
282.5	156	241	8	28.6	76.5	120°

INSTALLATION INSTRUCTIONS

1. SELECT DEGREE OF DOOR. USE DIMENSIONS SHOWN IN CHART AND ILLUSTRATION ABOVE TO MARK LOCATION OF ATTACHING SCREWS ON DOOR AND FRAME PREPARE HOLES
2. ATTACH CLOSER TO DOOR WITH SPEED REGULATING VALVES BACK TO HINGE.
3. ATTACH MAIN ARM AS FOLLOW:
PLACE MAIN ARM ON TOP SHAFT, INSERT ARM SCREW INTO TOP OF SHAFT AND TIGHTEN.
4. ATTACH PA PLATE TO TOP FRAME AS SHOWN.
5. ATTACH FOOT OF FOREARM TO PA PLATE.
6. ADJUST LENGTH OF FOREARM TO POSITION MAIN ARM AT PARALLEL TO FRAME WHEN CONNECTED TO MAIN ARM, THEN USE THE SCREW PROVIDED TO SECURE PIVOT AND TIGHTEN LOCKNUT.
7. SNAP PINION CAP OVER SPINDLE AT BOTTOM.
8. ADJUST DOOR CLOSER.

SIZE	Adjusting cycles	Adjusting Direction
1#	5	Counter-clockwise
2#	3	Counter-clockwise
3#	0	Factory Setting
4#	5	Clockwise
5#	10	Clockwise
6#	15	Clockwise

3