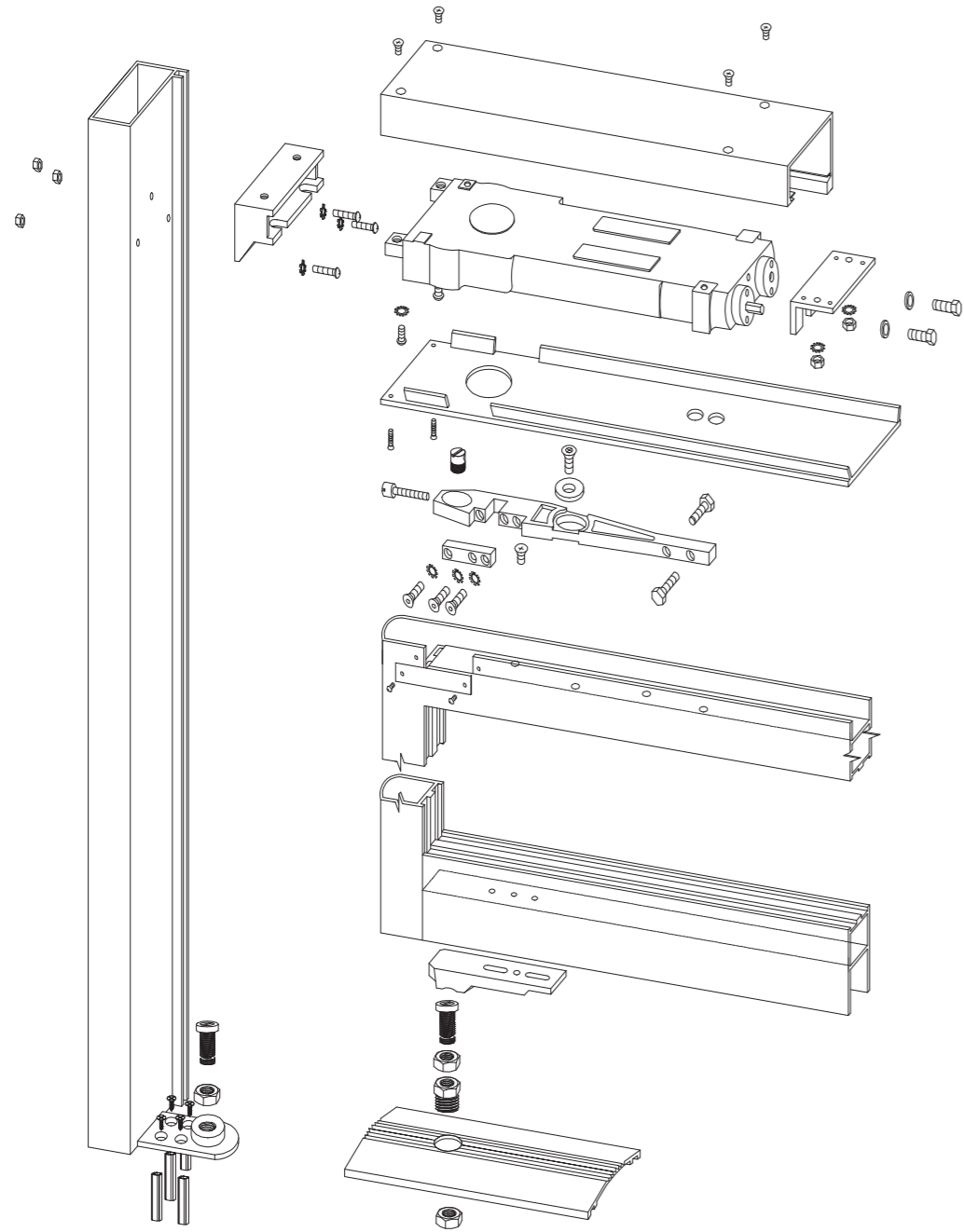
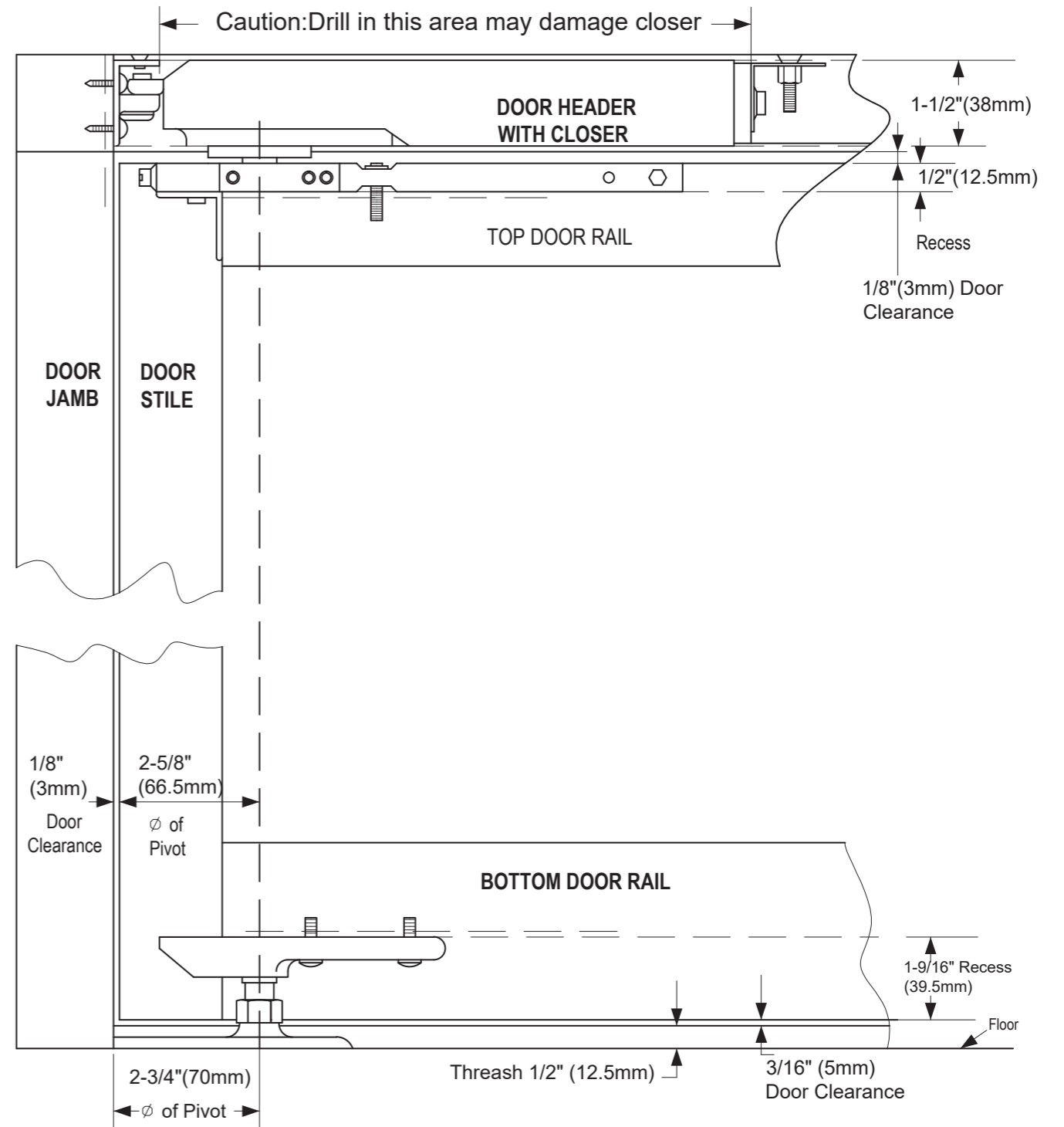


Install

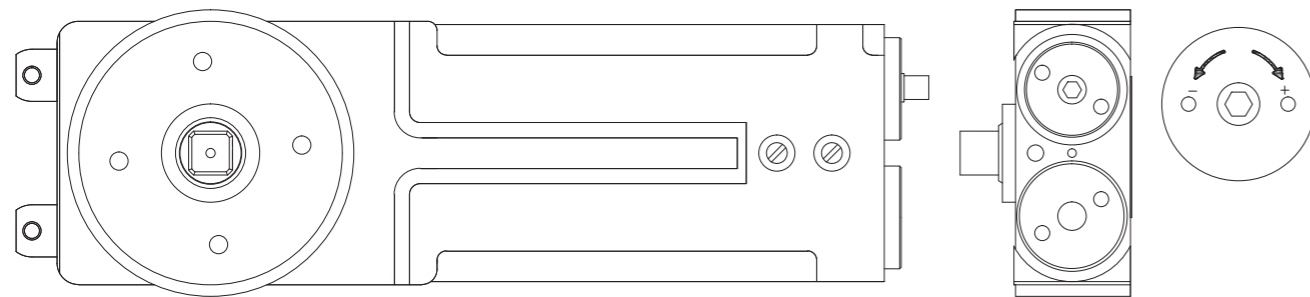


**"CONCEALED OVERHEAD"
INSTALLATION INSTRUCTIONS**

SINGLE ACTING-CENTER HUNG-SIDE AND END LOADING
DUAL SPEED ADJUSTING VALVES FOR LATCHING
AND CLOSING SPEED ADJUSTMENT
POWER ADJUSTMENT



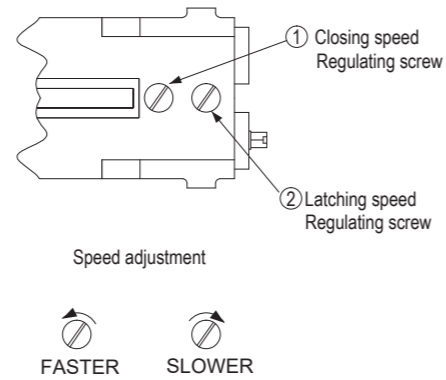
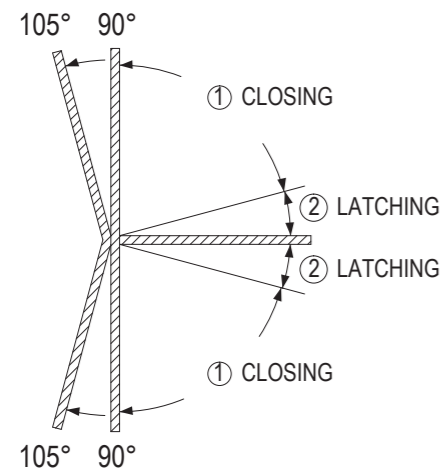
Power Adjustment



Factory presetting size: size 3

Size 2	Size 3	Size 4
-2	0	+5

HOW TO REGULATE CLOSING AND LATCHING SPEED

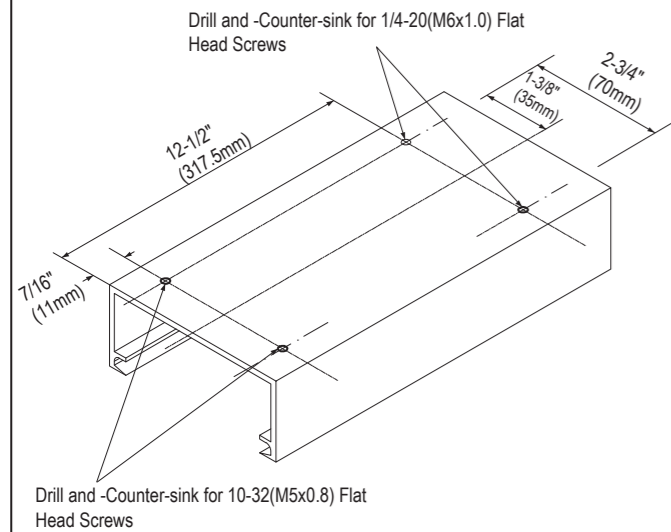


The model R500 overhead concealed type door closer should apply on the fire door and door frame with frame stop.

HEADERS & JAMBS

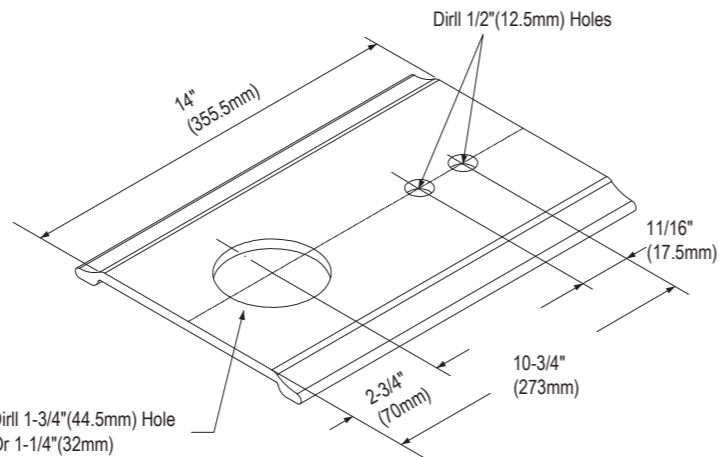
DOOR HEADED

Drill and counter-sink outside top surface for 10-32x7/16" (M5x0.8) and 1/4-20x1-1/4" (M6x1.0) flat head screws as shown.



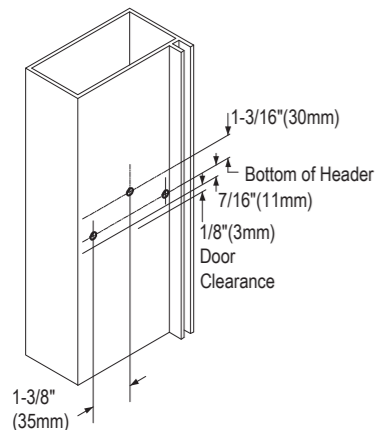
COVER PLATE

Drill 1-3/4" (44.5mm) hole as shown.
Drill 1/2" (12.5mm) hole as shown.

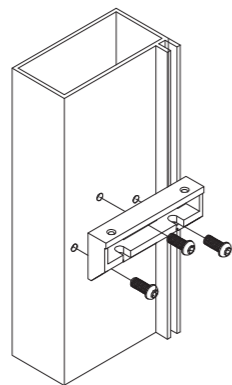


HINGE JAMB

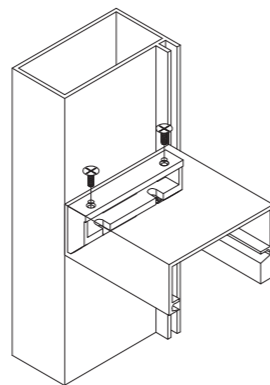
Drill holes for #10 pan head self-threading screws as shown



Install anchor using #10x9/16" pan head self-threading screws.



Mount door header on anchor using 10-32 x 7/16" flat head self-tapping screws.



SIDE LOADING

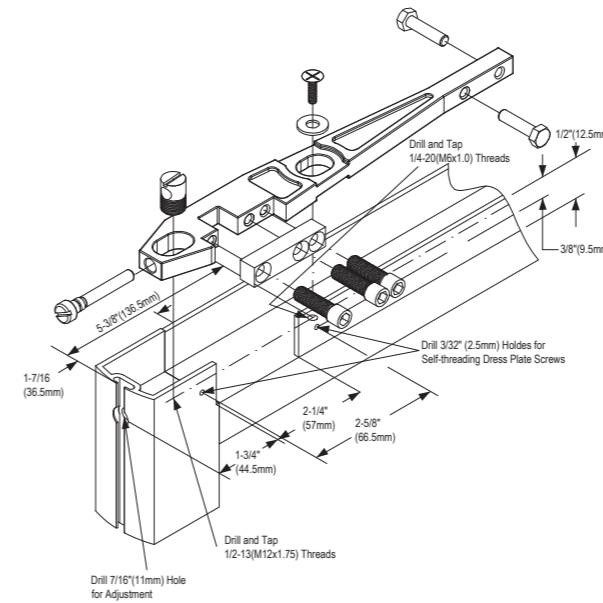
TOP DOOR RAIL

"S" Type Side Loading Arm
Drill or drill and tap holes in top of door as shown.

Make 2-1/4"x1/2" (57mmx12.5mm) cut-out in top of door as shown. Cut-out must be on the inside of the door.

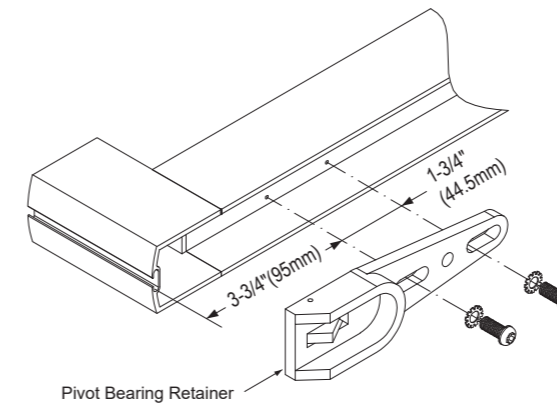
Install arm using 1/4-20x1-1/4" (M6x1.0) flat head machine screw and 7/8" washer. Install 1/2-13x3/4" (M12x1.75) arm stud and 1/4-20x1-1/8" (M6x1.0) dome head arm adjustment screw. Laterally adjust center of the arm spindle retainer 2-5/8" (66.5mm) from hinge edge of door (not including weatherstripping). Center arm in the top rail by adjusting the two 1/4-20x1" (M6x1.0) hex head centering bolts.

After installation of door, attach dress plate with self-threading screws.
NOTE: Before attaching dress plate, make certain the three 1/4-20x7/8" (M6x1.0) socket head clamp bar screws with lock washers are tightened securely.



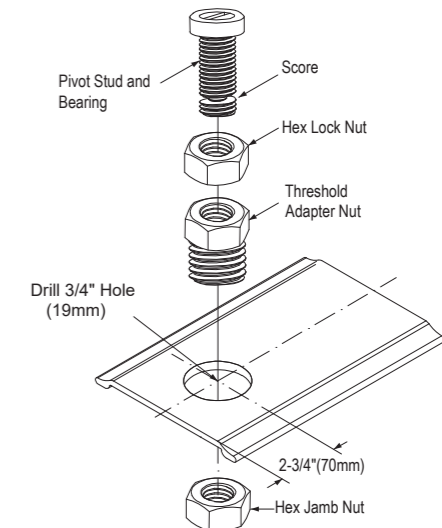
BOTTOM DOOR RAIL

Side Loading
Drill and tap 1/4-20 (M6x1.0) holes in bottom rail of door as shown. Install pivot bearing retainer in bottom of door using 1/4-20x5/8" (M6x1.0) pan head machine screws and lock washers. Laterally adjust center of pivot bearing retainer 2-5/8" (66.5mm) from hinge edge of door (not including weatherstripping) and tighten screws securely.



THRESHOLD MOUNT SET

Drill hole in threshold as shown. Install pivot stud and bearing with hex lock nut as shown and adjust bearing height for proper door clearance and firmly tighten lock nut.



FLOOR MOUNT PIVOT

Center pivot base against door jamb on hinge side. Mark and drill 1/4" (6.5mm) holes 1-1/2" (38mm) deep in floor for plastic expansion plugs. Mount base using #12x1 1/4" plastic expansion plugs #12x1 1/4" flat head wood screws. Install pivot stud and bearing with hex lock nut as shown, and adjust bearing height for proper door clearance and firmly tighten lock nut. When using threshold, drill 1 1/4" (32mm) hole for clearance of pivot base on center line 2-3/4" (70mm) from hinge end of threshold.
NOTE: When threshold is not used, pivot bearing stud must be shortened by sawing off at score 1/2" (12.5mm) from bottom.

