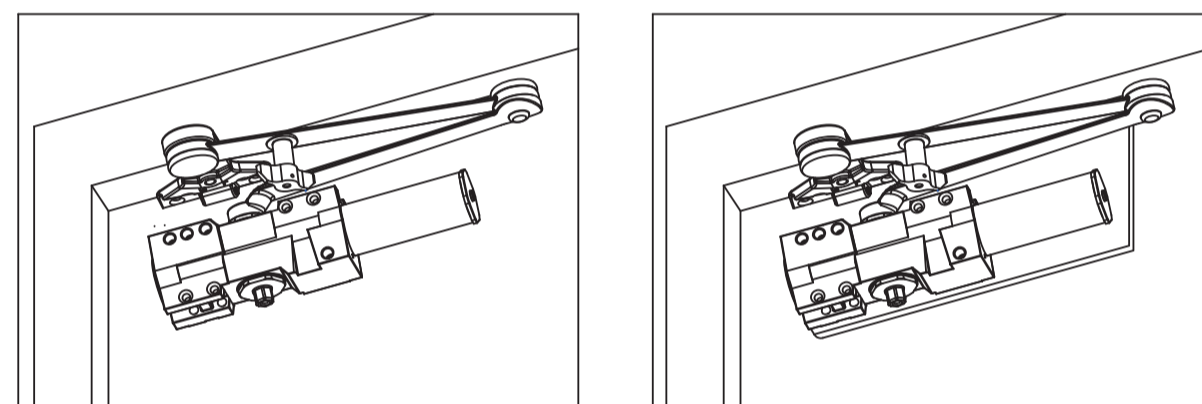


# ADJUSTABLE POWER DOOR CLOSER

## INSTALLATION & INSTRUCTION SHEET

### PUSH SIDE MOUNTED (PARALLEL ARM) DS/DS HO



standard installation      install on drop plate

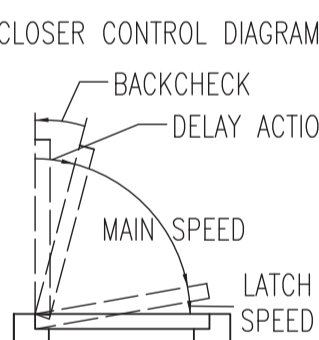
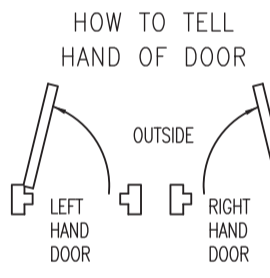
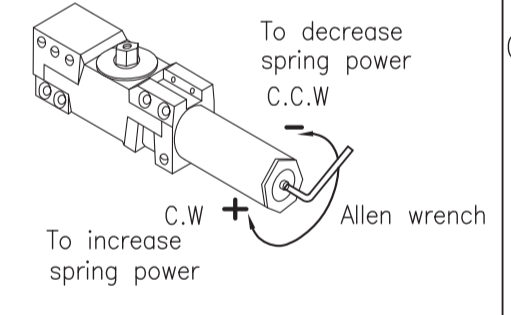
#### GENERAL NOTES

The closer is non-handed and designed to meet entrance accessibility requirements. Before installation, determine hand of door first. Refer to the drawing (right), then the proper installation template.

The closer can be adjusted to handle all exterior doors up to 4'0" and interior doors up to 5'0" wide. Adjust the spring power as shown before installing the closer. Turn the spring adjustment nut clockwise or counter-clockwise the required number of turns to match door width as indicated in chart below.

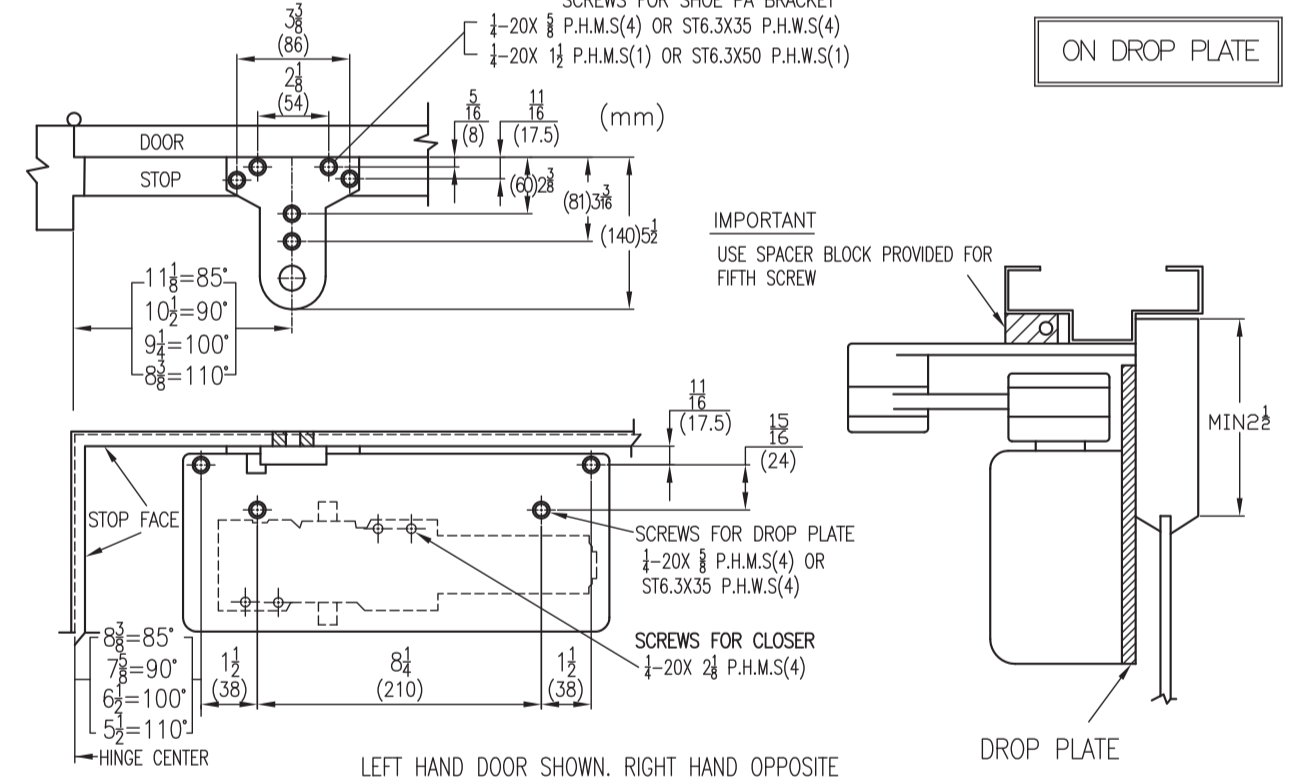
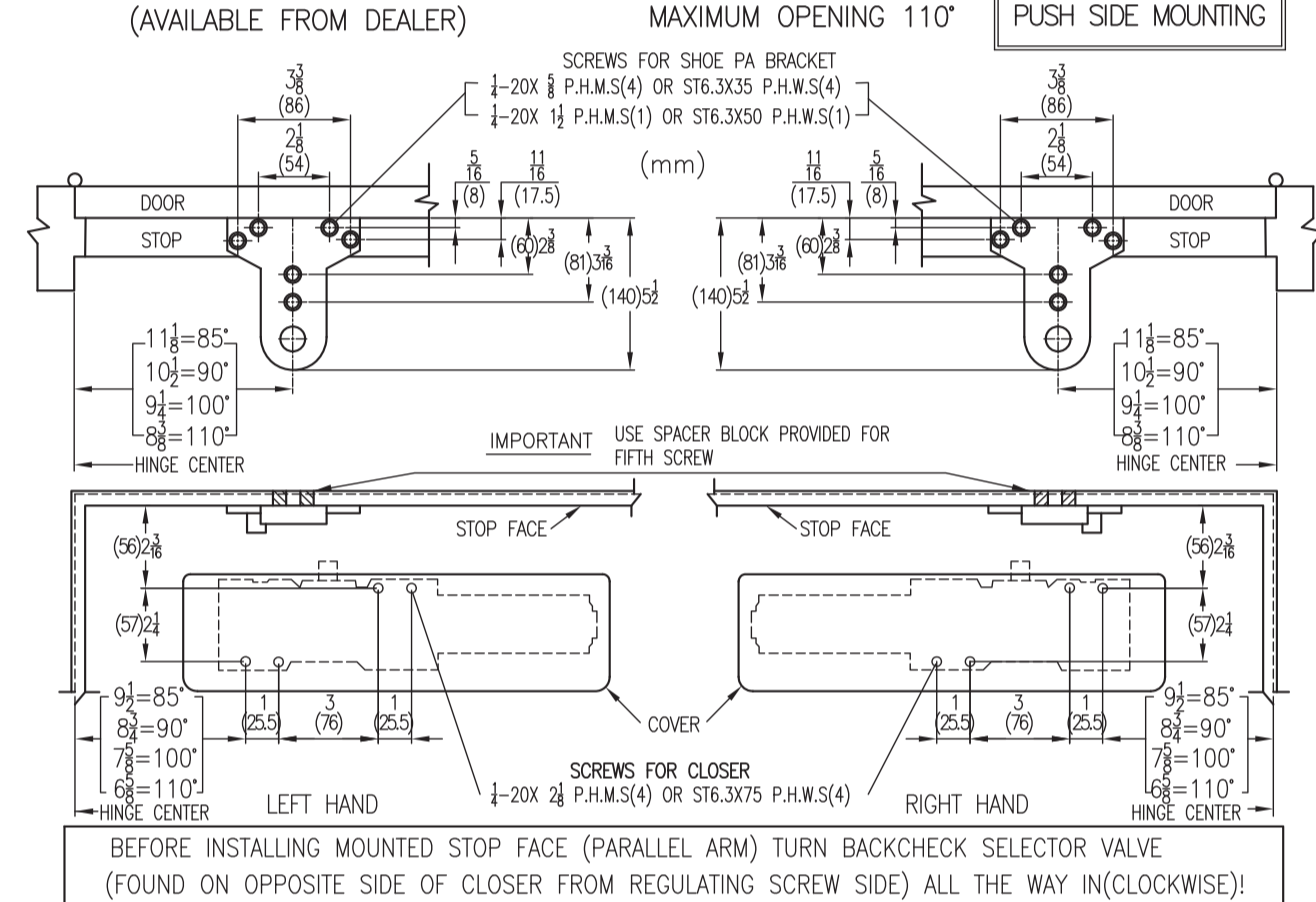
MAXIMUM DOOR WIDTH EXTERIOR DOORS	MAXIMUM DOOR WIDTH INTERIOR DOORS	FULL SPRING POWER REQUIRED	TURNS REQUIRED
8'-5 1/2" - 1'	5'-0" - 1'	5 TURNS C.W.	0 TURNS
3'	3'	0 TURNS	0 TURNS
3'	4'	5 TURNS C.W.	0 TURNS
4'	5'	10 TURNS C.W.	0 TURNS
4'	5'	15 TURNS C.W.	0 TURNS

\* Opening Force on 36" Door  
 IMPORTANT - When adjusting spring power DO NOT exceed the maximum number of turns in either direction! Beyond either maximum number of turns may damage closer.



### MOUNTED STOP FACE (PUSH SIDE) PARALLEL ARM

TOP ROLL LESS THAN 5-1/2". DROP PLATE WILL BE REQUIRED. (AVAILABLE FROM DEALER)      MAXIMUM OPENING 11'0"



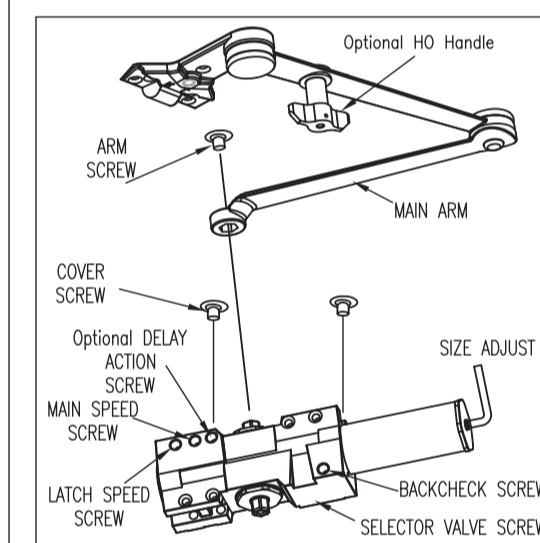
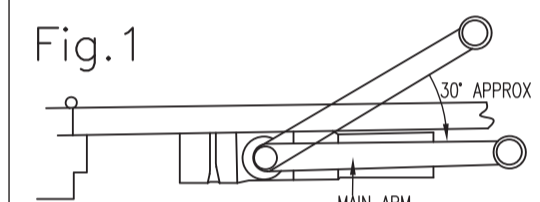
### CAUTION

IF AFTER REGULATION OR REGULATION MAY RESULT IN PERSON INJURY OR PROPERTY DAMAGE. FOLLOW ALL INSTRUCTIONS CAREFULLY. FOR QUESTIONS CONTACT DEALER.

### INSTALLATION & ADJUSTMENT INSTRUCTIONS

BEFORE INSTALLING THE ARM -TURN BACKCHECK SELECTOR VALVE (on back of closer) ALL THE WAY IN.

1. Adjust spring power to match door width as indicated by chart on front page.
2. Select proper templating on opposite page, based on degree of opening/dead stop. The closer and arm holes must be located for same degree of opening /dead stop. Drill and/or tap mounting holes in door and head jamb.
3. Attach complete arm to closer, as shown at left. Arm will be at about a 30° angle to closer body. Fasten with arm shaft screw. The arm will appear to be in an incorrect position. This is to accommodate the pre-load required for parallel arm mounted door closers. See 4. Mount closer on door, using fasteners provided. NOTE: arm will provide some resistance.
5. Swing door open about 45°. Mount shoe to frame stop per proper templating on opposite page. Be sure to install the "fifth" screw, if stop is not wide enough, use spacer block provided.



### REGULATION CAUTION DO NOT BACK VALVES OUT OF CLOSER OR A LEAK WILL RESULT

The closer has been regulated prior to shipment. If adjustments are necessary, carefully follow instructions. CLOSING SPEED: See Closer Control Diagram on page 1. To adjust Main Speed, turn reg. screw clockwise to decrease or counter-clockwise to increase. To adjust Latch Speed, turn reg. screw clockwise to decrease or counter-clockwise to increase. Reg. screw locations are shown at left and on label.

**BACKCHECK:** is essential for proper operation of Cush-Stop. Use enough backcheck to prevent arm from striking arm stop with impact. To increase resistance, turn reg. screw clockwise. -DO NOT USE ABRUPT BACKCHECK!-  
 Attach cover: place cover insert into proper slots for either R.H. or L.H. door. Place cover over closer and hold against door while tightening cover screws firmly.

**OPTIONAL HOLD OPEN ARM-HOW TO HOLD-OPEN**  
 A quarter turn on the HOLD-OPEN CONTROL HANDLE engages or disengages hold-open.