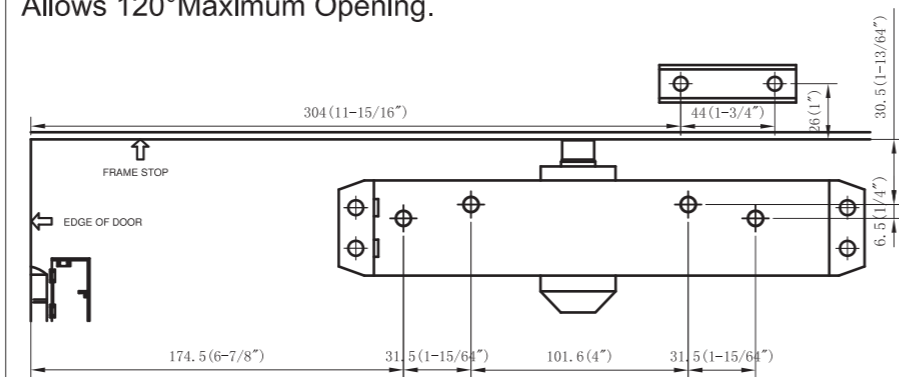
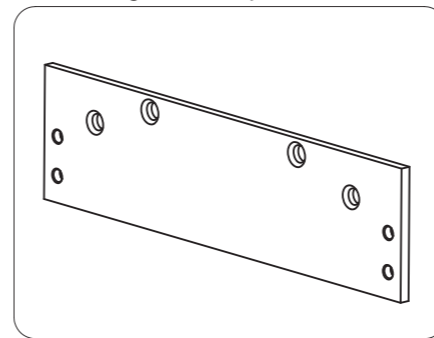


Cast Aluminum Door Closers Drop Plate Installation Instructions

Pull Side Regular Drop Plate
Allows 120° Maximum Opening.

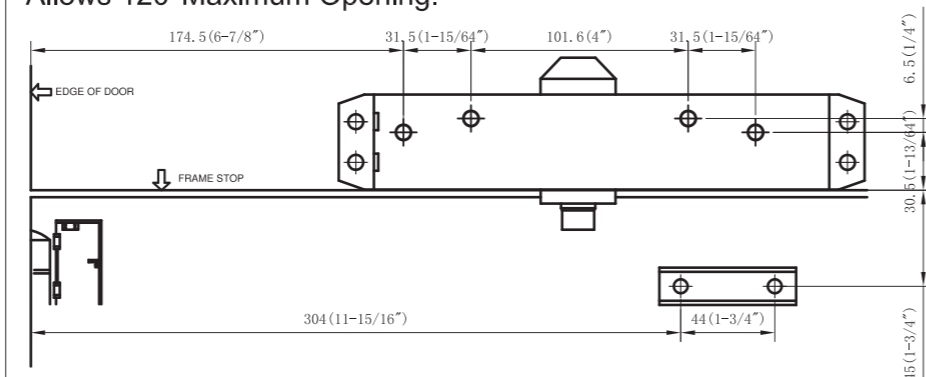


Regular Drop Plate

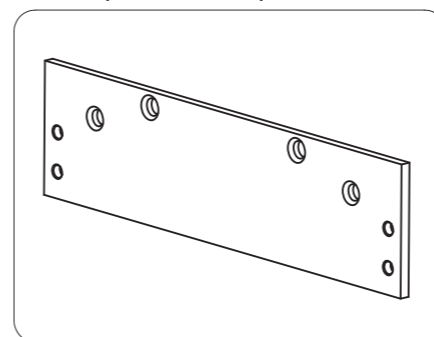


Left hand door shown, use opposite for right hand door

Pull Side Top Jamb Drop Plate
Allows 120° Maximum Opening.

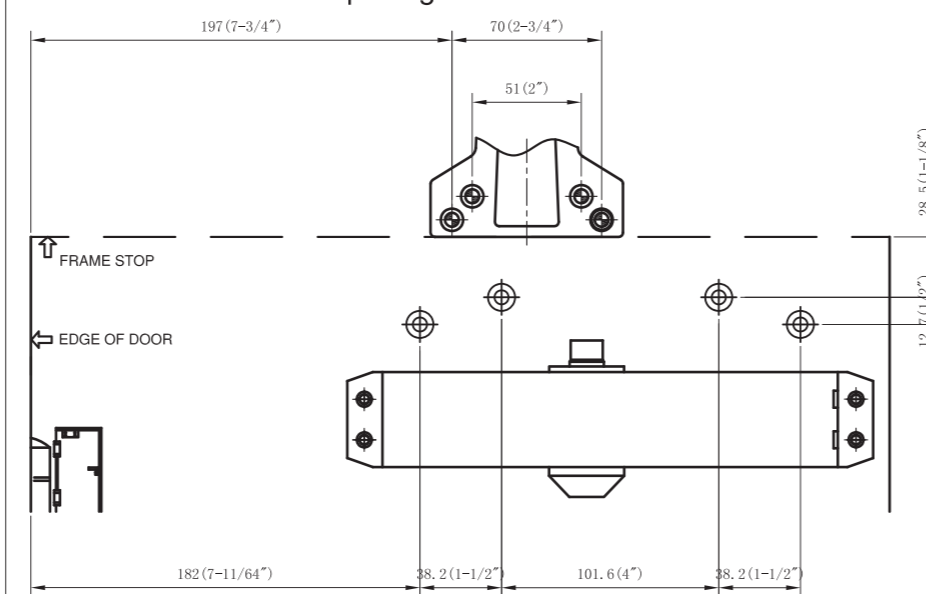


Top Jamb Drop Plate

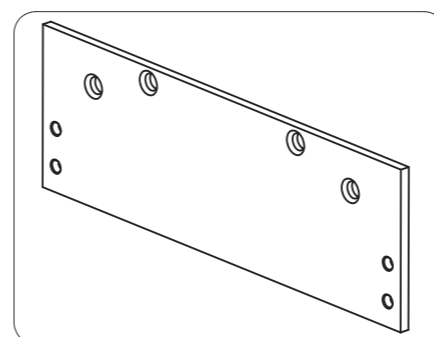


Left hand door shown, use opposite for right hand door

Pull Side Parallel Drop Plate
Allows 150° Maximum Opening.



Parallel Arm Drop Plate



Left hand door shown, use opposite for right hand door