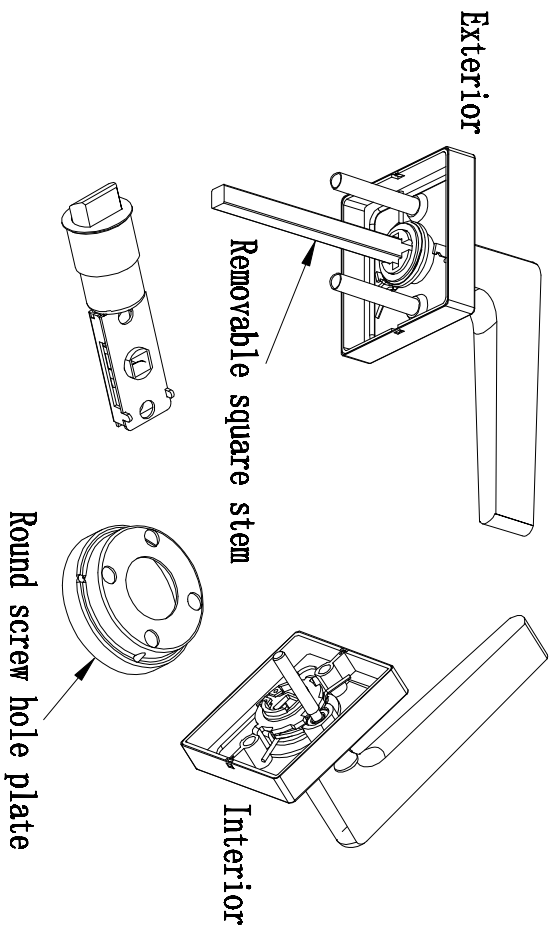
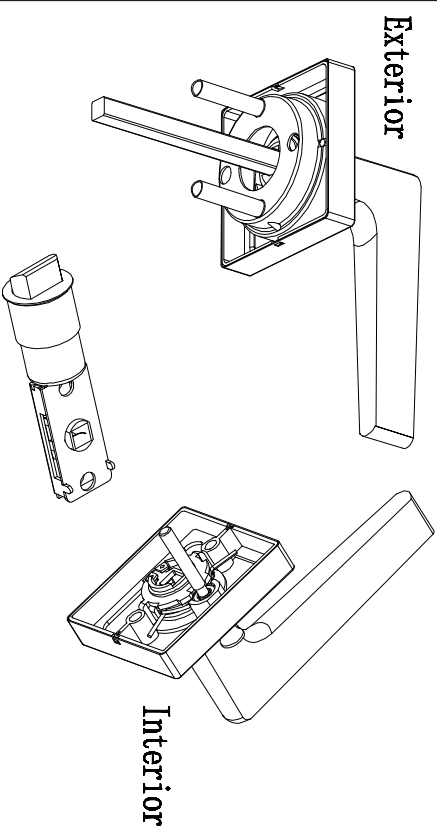


## Installation Instructions for 91 series Tubular Locks

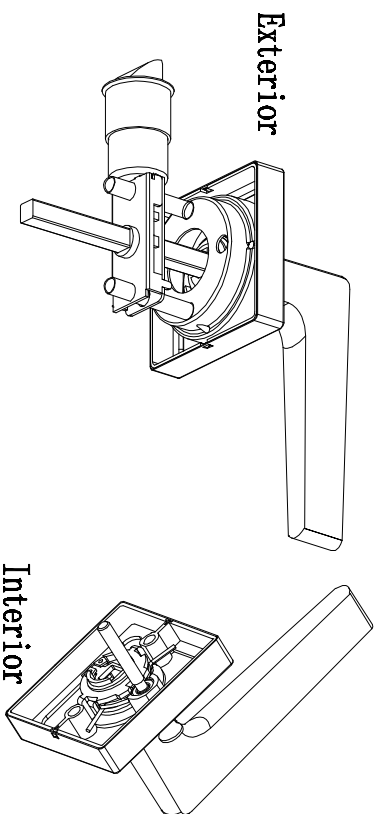
- ① Insert the removable square stem into the exterior chassis.



- ② Insert the round screw hole plate into the exterior chassis.



- ③ Insert the exterior chassis into the latch.



- ④ Insert the interior chassis and fasten with screws.

