

# DL-LHV SERIES

GRADE 1



## FEATURES

- Backset UL Listed: 2-3/4" face, 1-1/8" x 2-1/4"
- Cylinder: Schlage "C" keyway
- Keying: Schlage 6 pin keyed
- Key: 2 six pin Nickel Plated
- Functions: See below
- Latch: 5/8" projection Stainless Steel 3 hour
- Bore: 2-1/8" hole retrofits all cylindrical locksets
- Fits 161 Prep
- Strike: ANSI 1-1/4" x 4-7/8" strike
- Non-handed / reversible
- Warranty: 1 year mechanical and finish
- Finish: US26D
- CL - Clutch function - Lever rotates without unlatching lock

## KEYING OPTIONS:

TRANS

(additional charges may apply)

- 2 keys per cylinder
- KD: Keyed Different
- KA: Keyed Alike
- KA2: Keyed Alike; groups of 2
- KEYWAYS: SC6

## ACCESSORIES:

See page 29

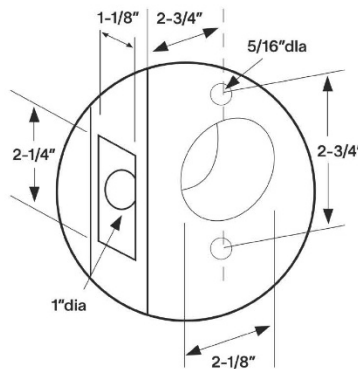
## OPTIONS:

- IC - Small format Figure 8 Interchangeable
- Core NOT included

## CROSS REFERENCE

FUNCTION	TA	DORMA	HAGAR	CAL-ROYAL	PDQ	SCHLAGE	TELL
PASSAGE	DL-LHV10	CL110	3410	GN30	GT126	ND10S	LC1275
PRIVACY	DL-LHV40	CL140	3440	CGN20	GT176	ND40S	LC1276
ENTRANCE	DL-LHV53	CL153	3450	CGN00	GT116	ND53PD	LC1281
CLASSROOM	DL-LHV70	CL170	3470	CGN03	GT148	ND70PD	LC1284
STOREROOM	DL-LHV80	CL180	3480	CGN05	GT115	ND80PD	LC1286

## DOOR PREP DIAGRAM



www.impusa.com

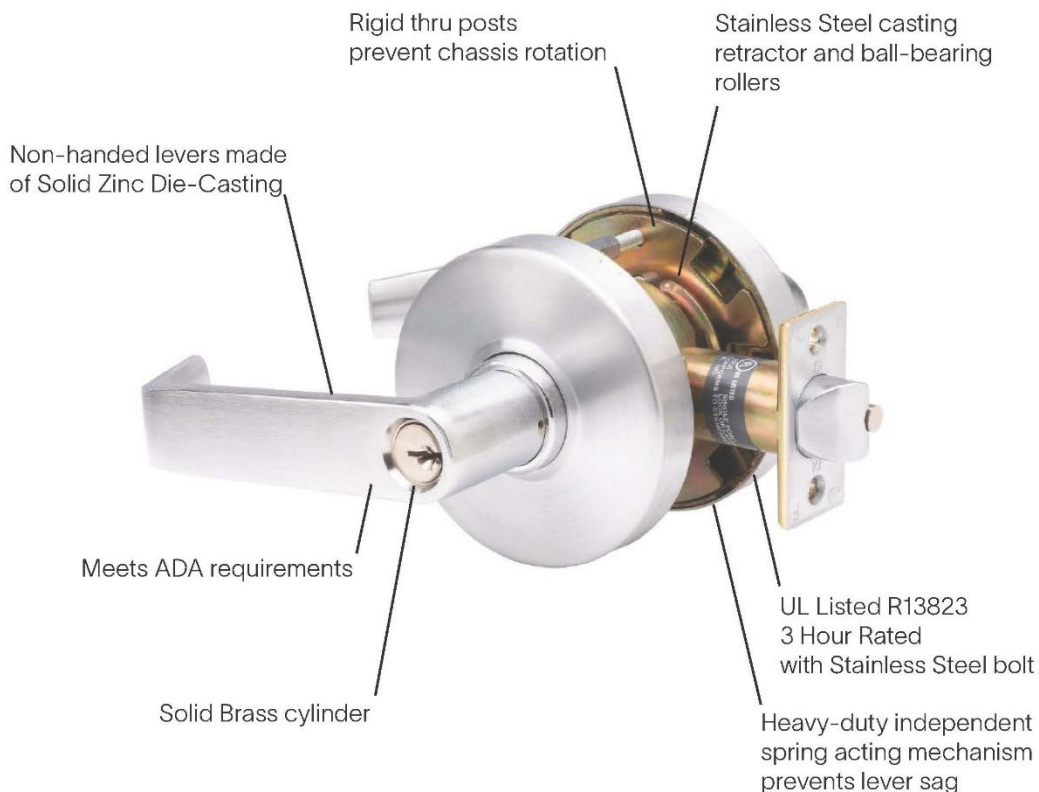


# DL-LHV SERIES

GRADE 1

## HEAVY DUTY COMMERCIAL CYLINDRICAL LEVER

The DL-LHV Series cylindrical leversets are designed for use on heavy duty Grade 1 commercial applications. The LHV series is ADA compliant and features a free wheeling clutch mechanism option that ensures longevity and security.



### CODE COMPLIANCE

- Certification: UL Listed R13823 ANSI A156.2 Grade 1
- ANSI A156.2 Grade 1, UL10C and UBC 7.2 for positive pressure
- ANSI A117.1 ADA Barrier-free Accessibility



**IC CORE OPTION**  
(Core not included)