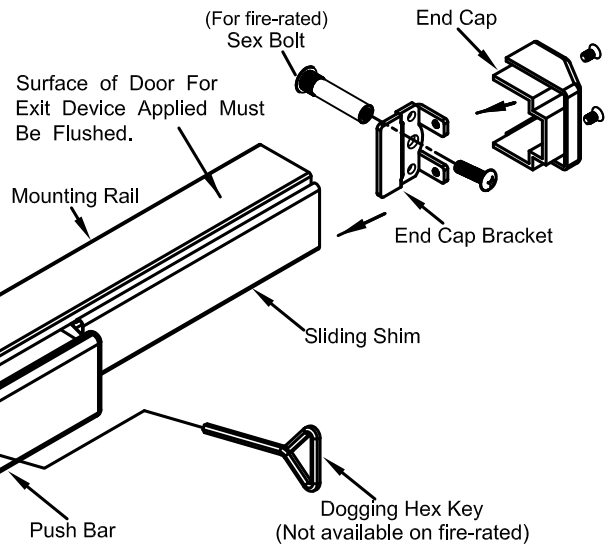
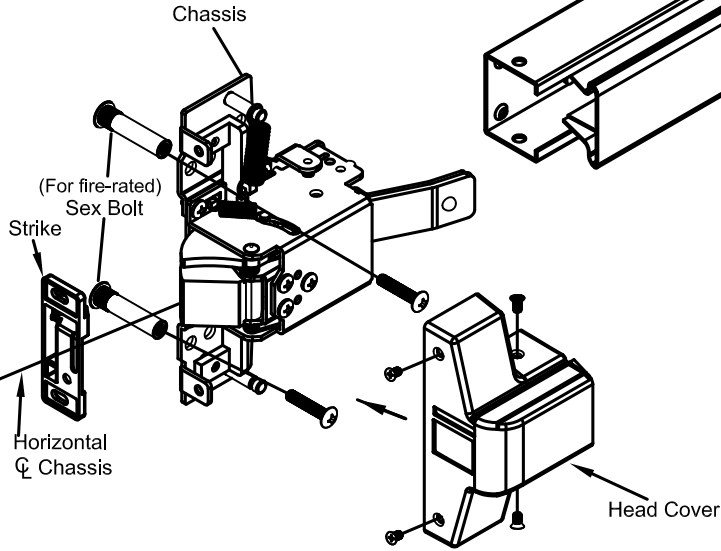
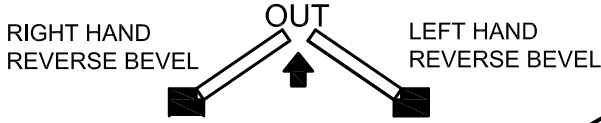


# INSTALLATION INSTRUCTIONS

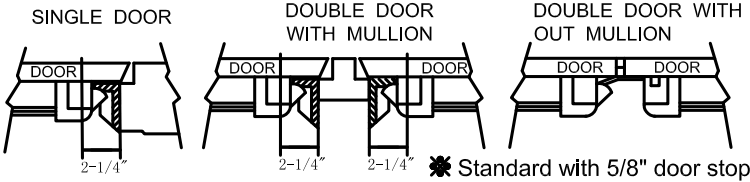
## RIM PANIC EXIT DEVICE

### BEFORE INSTALLING DEVICE, PLEASE CHECK:

- A. THE DOOR MUST BE HUNG & CORRECTLY FITTED.
- B. SIZE OF EXIT DEVICE, FUNCTION AND DESIGN...
  - B.1. 36" DOORS, CAN BE CUT TO FIT DOORS DOWN TO 30" WIDE.
  - B.2. 48" DOORS, CAN BE CUT TO FIT DOORS DOWN TO 36" WIDE.
  - B.3. HAND OF DEVICE, TRY IF APPLICABLE APPLICATION.

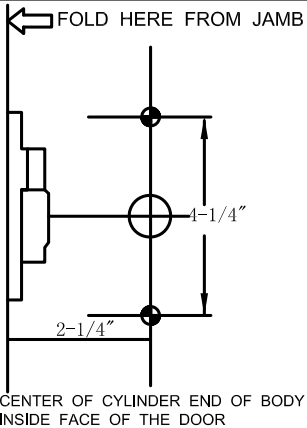
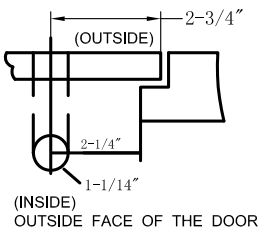


### 1. TYPE OF INSTALLATION



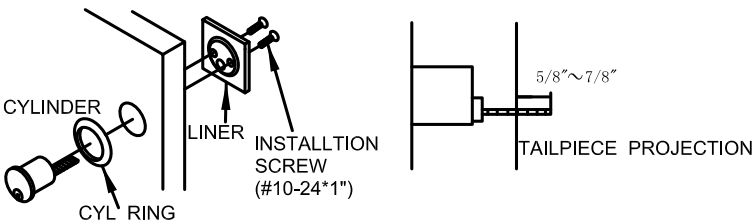
### 2. DRILL HOLES

- A. MARK DOOR FACE AND DRILL HOLES IN ACCORDANCE WITH THE DIAMETERS SUGGESTED. SEE ATTACHED TEMPLATE

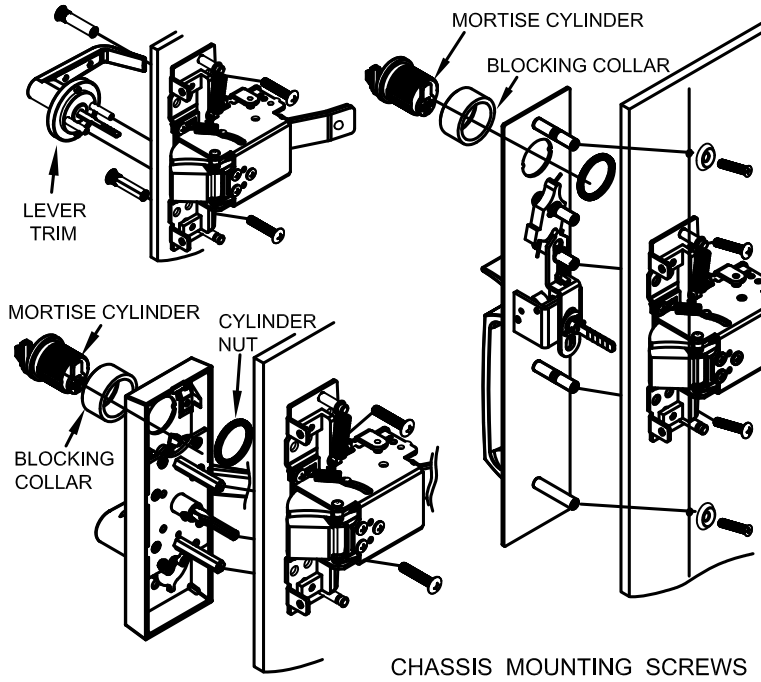


### 3. INSTALL CYLINDER

- A. INSERT THE CYLINDER THROUGH CYL RING THE HOLE ON THE DOOR
- B. KEEP THE TAIL PIECE HORIZONTALLY.
- C. MOUNT LINER ON INSIDE OF DOOR AND
- D. TAILPIECE PROJECTION OVER INSIDE OF DOOR IS SUGGESTED IN THE RANGE "5/8~7/8". IF NECESSARY, USE A PLIER TO BEND AND CUT THE DESIRED LENGTH.

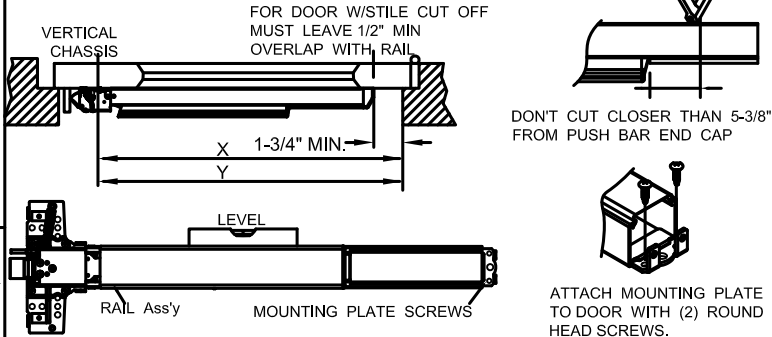


### 4. APPLY TRIM + CHASSIS

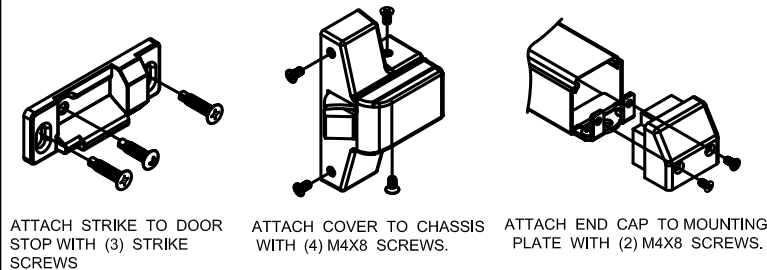


### 5. APPLY RAIL ASSEMBLY

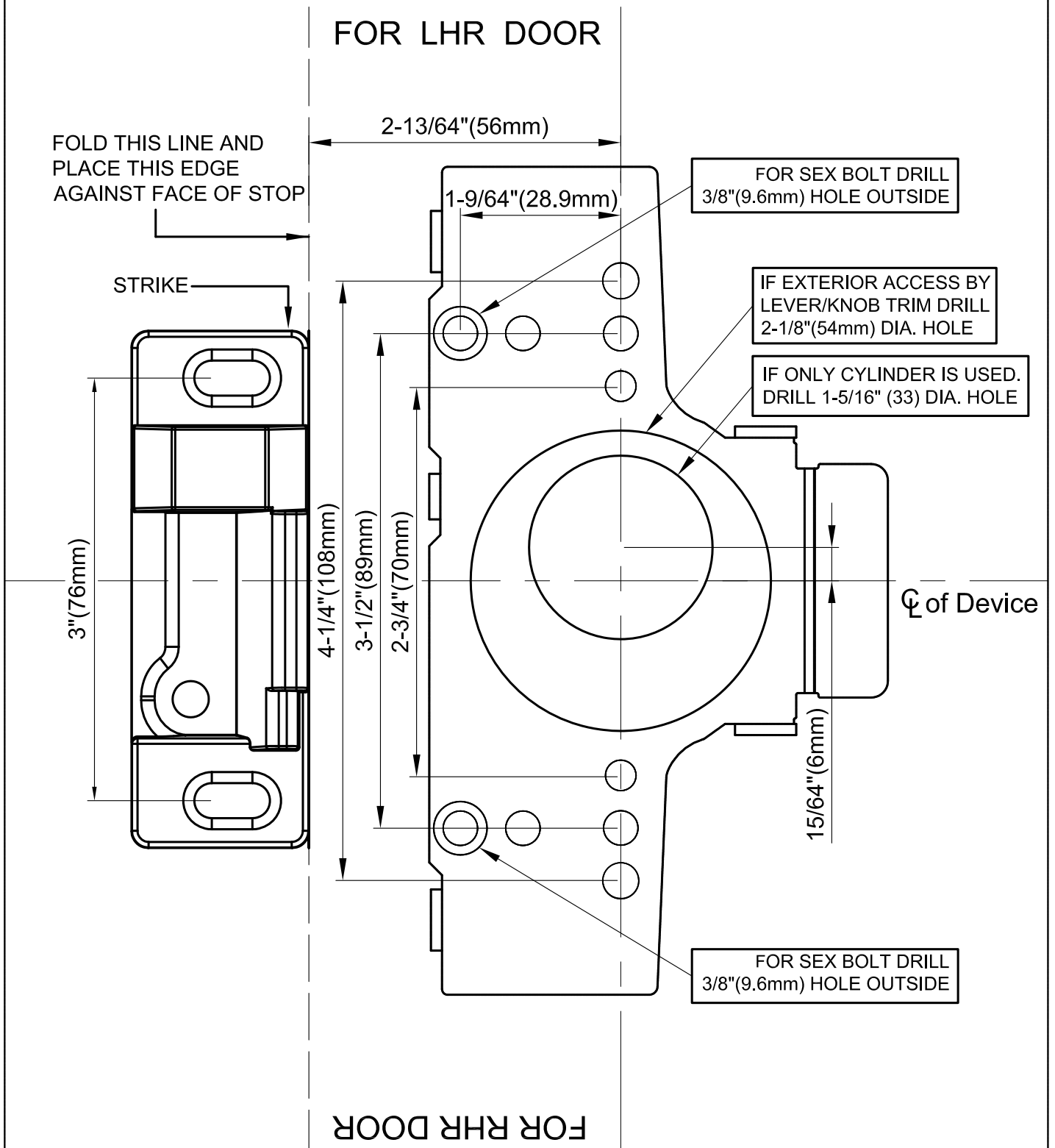
- A. CHECK THE SIZE OF DEVICE IF CUTTING THE LENGTH IS REQUIRED.
- B. DETERMINE CUT - OFF - LENGTH "X" BY SUBTRACTING 1-3/4" FROM "Y". MARK CUT - OFF - POINT ON MOUNTING RAIL.
- C. DEPRESS ARM INTO RAIL OPENING AND SLIDE RAIL ONTO CHASSIS. LEVEL RAIL AND FASTEN CHASSIS AND MOUNTING PLATE.



### 6. APPLY COVER AND STRIKE



# TEMPLATE FOR RIM PANIC EXIT DEVICE (1:1)



# TEMPLATE FOR RIM PANIC EXIT DEVICE (1:1)